

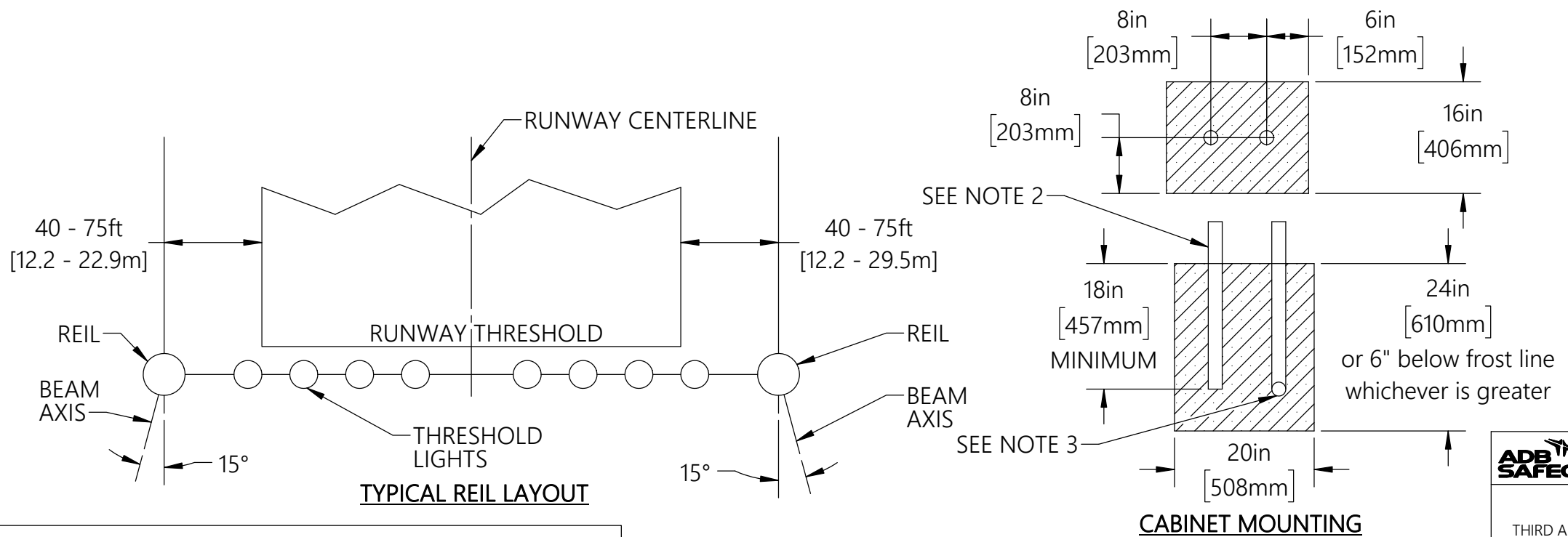
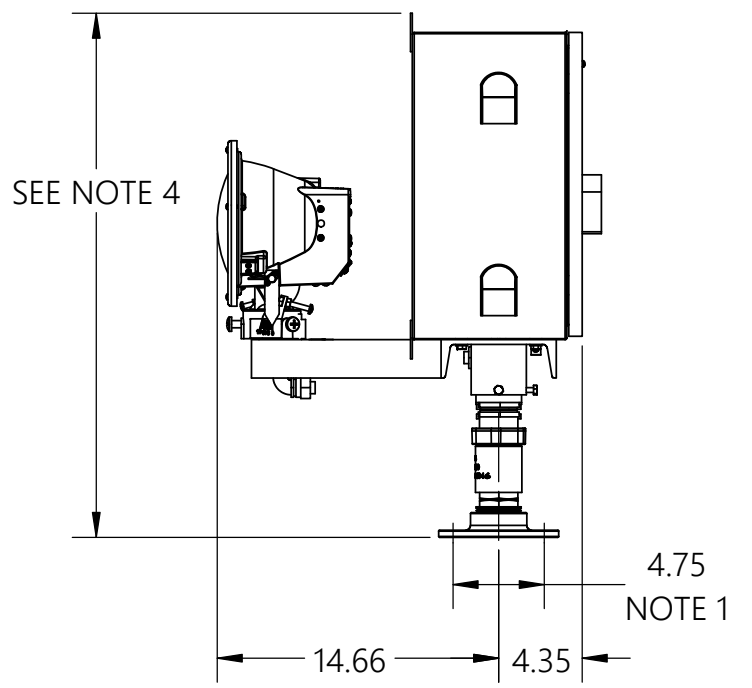
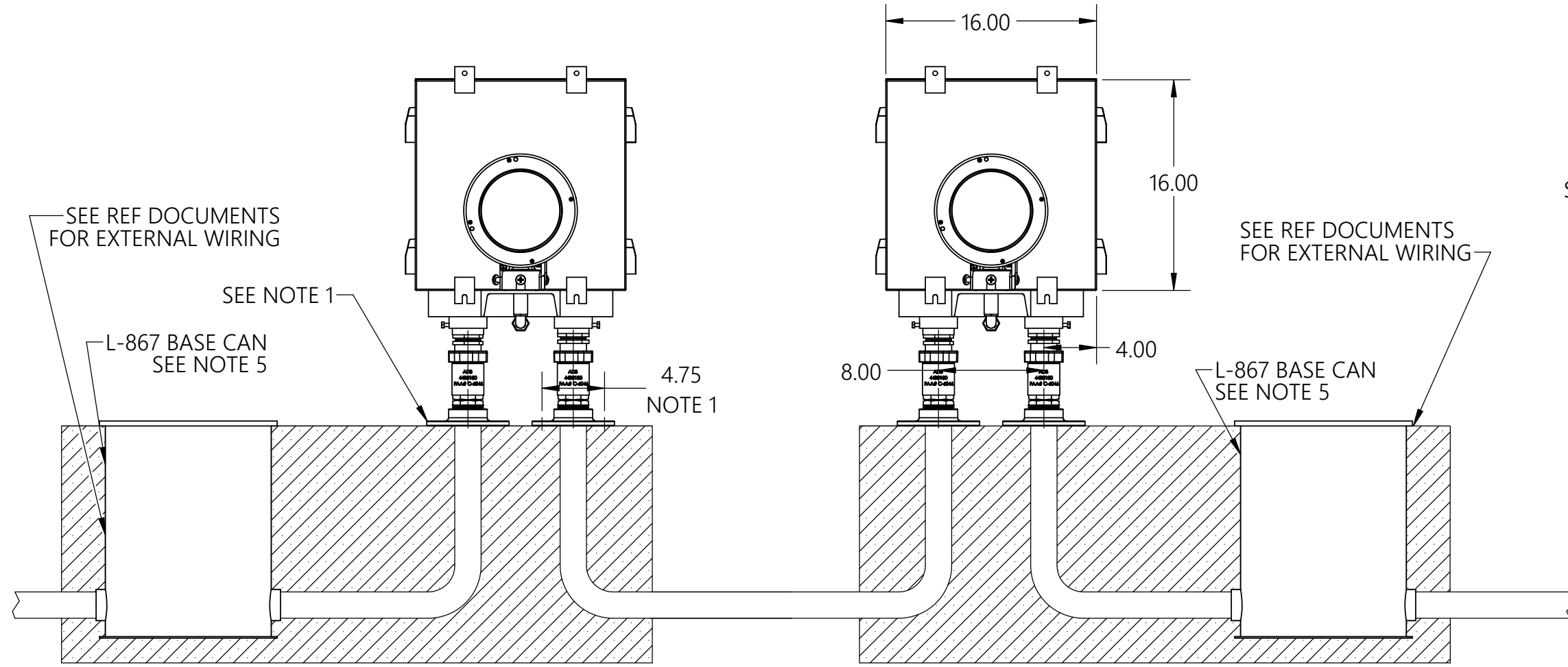
Information contained on this drawing is to be used expressly in accord with purpose for which it was submitted. Any disclosure of this information is strictly prohibited except as ADB SAFEGATE may otherwise agree in writing. Copyright 2018 ADB SAFEGATE.

# TWO-LEG INSTALLATION

REVISIONS					
REV.	ZONE	ECO	DESCRIPTION	DATE	APPROVED
A			INITIAL RELEASE	20 JUL 20	CS

**PRIMARY**

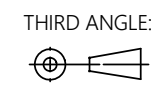
**SECONDARY**



- NOTES:**
- OPTIONAL BASE FLANGE 62B0107/3 SHOWN FOR REFERENCE ONLY. USE HILTI BOLTS OR EQUIVALENT FOR MOUNTING FLANGES.
  - USE 2 INCH RGS FEMALE COUPLING IF BASE FLANGE NOT USED.
  - 2 INCH ELBOW FOR EXTERNAL WIRES.
  - THE OVERALL HEIGHT OF THE OPTICAL ASSEMBLY SHALL NOT EXCEED 34 INCHES.
  - BASE CANS NEEDED ONLY ON SERIES CIRCUIT POWERED REIL TO HOUSE ISOLATION TRANSFORMER.
  - ADB SAFEGATE LED L-849 STYLE A/C/E REIL/XXXXXXXX.

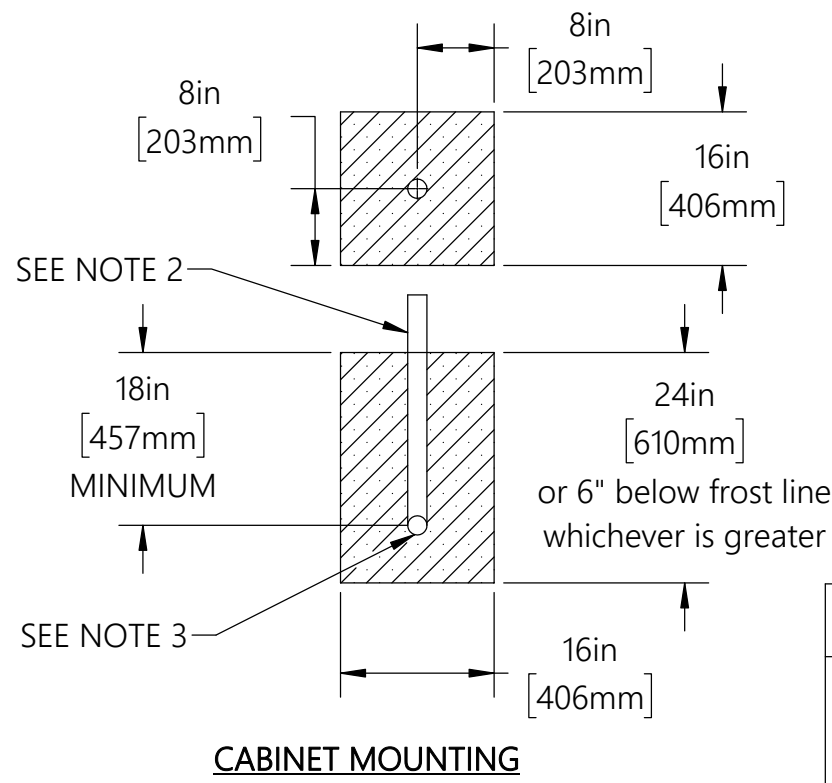
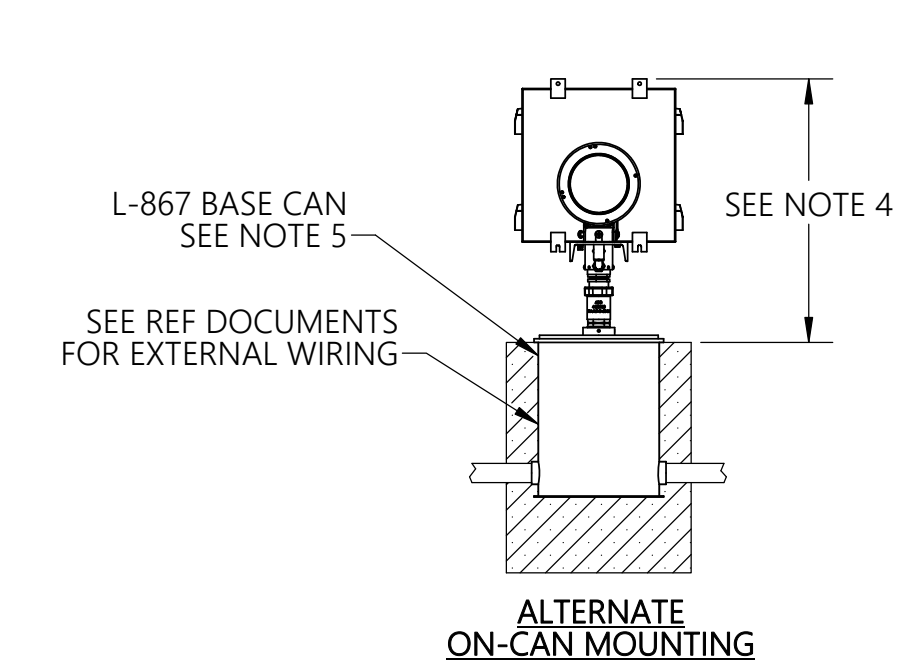
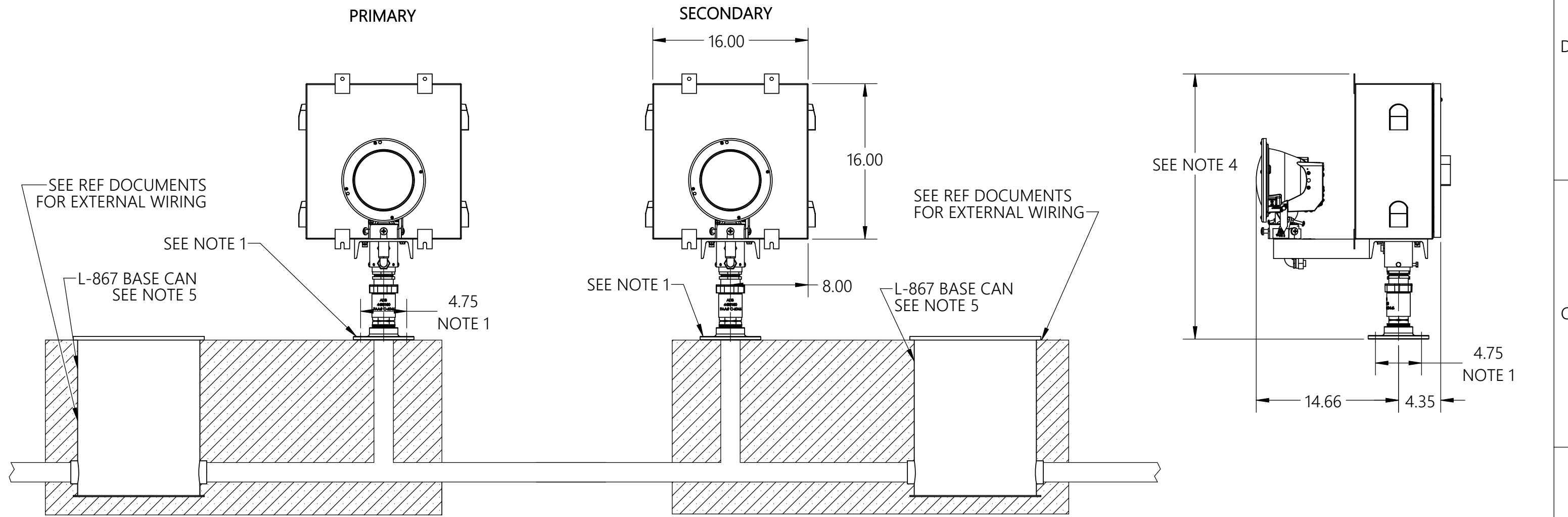
**REFERENCE DOCUMENTS:**  
 DA00008-ECD-01: CURRENT DRIVEN EXTERNAL WIRING DETAILS  
 DA00008-EVD-01: VOLTAGE DRIVEN EXTERNAL WIRING DETAILS

	DESCRIPTION : L-849 A/C/E LED RUNWAY END IDENTIFIER LIGHTS TYPICAL INSTALLATION DETAILS	
	DO NOT SCALE DRAWING	MATERIAL : VARIOUS
	ALL DIMENSIONS: INCHES	FINISH :
	IF NOT SPECIFIED TOLER: XX ±0.1" XXX ±0.03" XXXX ±0.010" ANGULAR ±1/2° MACHINE FINISH 0.8µm Ra	DRAWN BY : C.Schell SHEET : 1/3 DATE : 30 JUN 2020 REV : A PART NUMBER: DA00022-XXX-01



Information contained on this drawing is to be used expressly in accord with purpose for which it was submitted. Any disclosure of this information is strictly prohibited except as ADB SAFEGATE may otherwise agree in writing. Copyright 2018 ADB SAFEGATE.

# ONE-LEG INSTALLATION



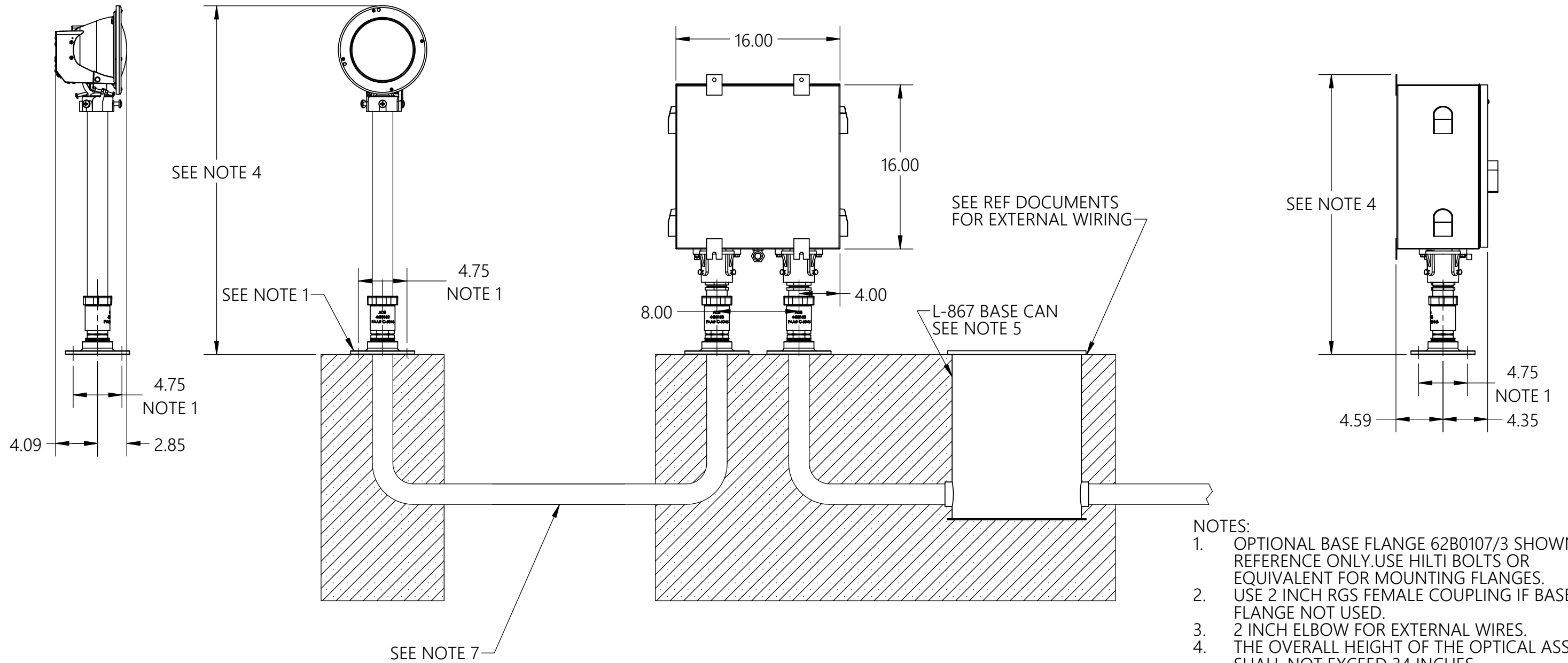
- NOTES:**
- OPTIONAL BASE FLANGE 62B0107/3 SHOWN FOR REFERENCE ONLY. USE HILTI BOLTS OR EQUIVALENT FOR MOUNTING FLANGES.
  - USE 2 INCH RGS FEMALE COUPLING IF BASE FLANGE NOT USED.
  - 2 INCH ELBOW FOR EXTERNAL WIRES.
  - THE OVERALL HEIGHT OF THE OPTICAL ASSEMBLY SHALL NOT EXCEED 34 INCHES.
  - BASE CANS NEEDED ONLY ON SERIES CIRCUIT POWERED REIL TO HOUSE ISOLATION TRANSFORMER.
  - ADB SAFEGATE LED L-849 STYLE A/C/E REIL/XXXXXXXX.

**REFERENCE DOCUMENTS:**  
 DA00008-ECD-01: CURRENT DRIVEN EXTERNAL WIRING DETAILS  
 DA00008-EVD-01: VOLTAGE DRIVEN EXTERNAL WIRING DETAILS

	DESCRIPTION : L-849 A/C/E LED RUNWAY END IDENTIFIER LIGHTS TYPICAL INSTALLATION DETAILS	
	DO NOT SCALE DRAWING ALL DIMENSIONS: INCHES	MATERIAL : VARIOUS FINISH :
THIRD ANGLE: 	IF NOT SPECIFIED TOLER: XX ±0.1" XXX ±0.03" XXXX ±0.010" ANGULAR ±1/2° MACHINE FINISH 0.8µm Ra	DRAWN BY : C.Schell SHEET : 2/3 PART NUMBER: DA00022-XXX-01
		DATE : 30 JUN 2020 REV : A

Information contained on this drawing is to be used expressly in accord with purpose for which it was submitted. Any disclosure of this information is strictly prohibited except as ADB SAFEGATE may otherwise agree in writing. Copyright 2018 ADB SAFEGATE.

**SEPERATE REMOTE MOUNTED FLASH HEAD**



- NOTES:**
1. OPTIONAL BASE FLANGE 62B0107/3 SHOWN FOR REFERENCE ONLY. USE HILTI BOLTS OR EQUIVALENT FOR MOUNTING FLANGES.
  2. USE 2 INCH RGS FEMALE COUPLING IF BASE FLANGE NOT USED.
  3. 2 INCH ELBOW FOR EXTERNAL WIRES.
  4. THE OVERALL HEIGHT OF THE OPTICAL ASSEMBLY SHALL NOT EXCEED 34 INCHES.
  5. BASE CANS NEEDED ONLY ON SERIES CIRCUIT POWERED REIL TO HOUSE ISOLATION TRANSFORMER.
  6. ADB SAFEGATE LED L-849 STYLE A/C/E REIL/XXXXXXX.
  7. MAX 100ft [30.5m] WIRES FOR SEPERATE REMOTE FLASH HEAD INSTALLATION.

**REFERENCE DOCUMENTS:**  
 DA00008-ECD-01: CURRENT DRIVEN EXTERNAL WIRING DETAILS  
 DA00008-EVD-01: VOLTAGE DRIVEN EXTERNAL WIRING DETAILS

	DESCRIPTION : L-849 A/C/E LED RUNWAY END IDENTIFIER LIGHTS TYPICAL INSTALLATION DETAILS	
	DO NOT SCALE DRAWING ALL DIMENSIONS: INCHES	MATERIAL : VARIOUS FINISH :
THIRD ANGLE: 	IF NOT SPECIFIED TOLER: XX ±0.1" X.XX ±0.03" X.XXX ±0.010" ANGULAR ±1/2° MACHINE FINISH 0.8µm Ra	DRAWN BY : C.Schell DATE : 30 JUN 2020
		SHEET : 3/3 REV : A
		PART NUMBER: DA00022-XXX-01