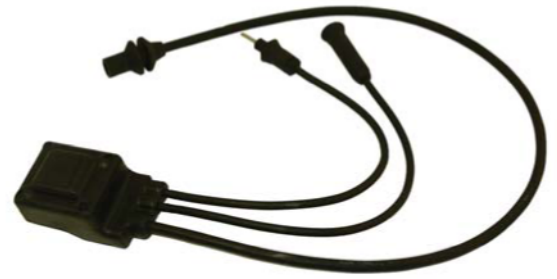


TRANSFORMERS & CABLES

IXT-A

Series Circuit Isolation Transformer



Compliance with Standards

- FAA:** L-830 AC 150/5345-47 (Current Edition) ETL Certified.
- ICAO:** Aerodrome Design Manual, Part 5 para. 3.2.1.7a
- MIL:** MIL-T-27535A

Uses

FAA L-830 & ICAO

Designed for use in airfield lighting systems to isolate low-voltage lamps from the high operating voltages present on airfield series lighting circuits.

Features

- Quick and easy connection by means of factory-molded L-823 plugs and receptacles.
- Two single-conductor primary cables (8 AWG, 5,000 V) with a molded Style 2 plug on one lead and a molded Style 9 receptacle on the other lead; one two-conductor secondary cable (12 AWG, 600 V) with Style 8 two-pin receptacle
- Complete water tightness—Cables are an integral part of the transformer and their sheath is molded in the transformer body
- May be buried directly in the ground, exposed to the sun, immersed in water, and exposed to other weather elements
- The outer molded jacket is acid-, alkali-, and oil-resistant and also resists deicing fluids, ozone, and UV radiation
- Ambient temperature: -67 °F to +149 °F (-55 °C to +65 °C)

Electrical Supply

- Operates at 60 Hz (L-830) on series circuits rated up to 5,000 VA C

The primary windings of the transformer are connected in a 6.6 A series circuit supplied by a constant current regulator. The continuity of the series lighting loop is maintained even if one or more lamps supplied by individual isolation transformer secondaries are open-circuited due to lamp failures. In addition, there is a complete separation of the high-voltage primary and low-voltage secondary windings.

Ordering Code

- Power Range**
- 010 = 10/15 W (L-830-16)
- 020 = 20/25 W (L-830-17)
- 045 = 30/45 W (L-830-1)
- 065 = 65 W (L-830-3)
- 100 = 100 W (L-830-4)

Primary Current

6 = 6.6 A

Secondary Current

6 = 6.6 A

Frequency

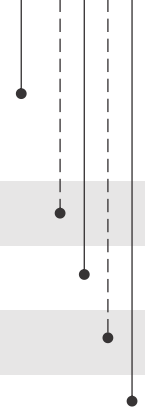
6 = 60 Hz

Grounding Connection

0 = Without ground

Note: ADB Safegate isolation transformers are manufactured in Columbus, Ohio.

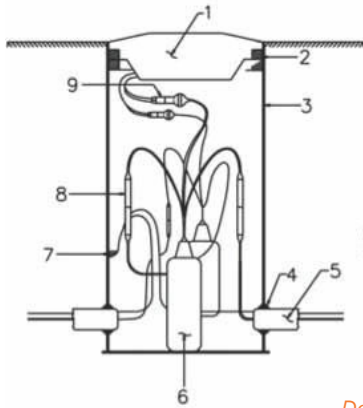
1ST XXX X X X X 10



Note: Series circuit components and connectors must be installed per the recommendations shown in FAA AC 150/5340-30 (latest revision). There are many installation variables outside the control of ADB Safegate that may affect the overall circuit insulation resistance. ADB Safegate is not responsible for series circuit insulation resistance requirements above the limits defined in FAA AC 150/5340-30 or AC 150/5340-26 (latest revisions).

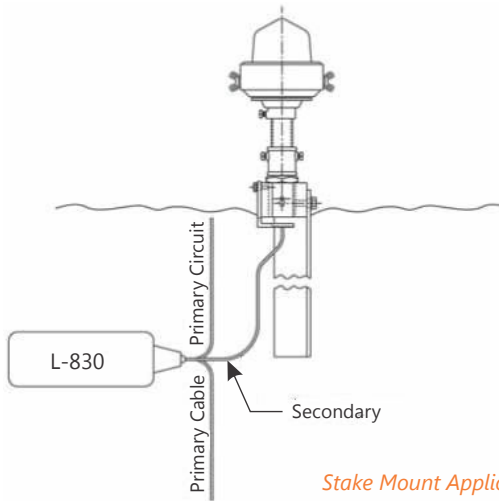
TRANSFORMERS & CABLES

IXT-A



1. light
2. flange ring
3. FAA L-868 base
4. rubber grommet
5. conduit
6. isolation transformer
7. Earth terminal (if used)
8. primary connectors
9. secondary connectors

Deep Base Application



Stake Mount Application

Packaging

Style	Part No.	Avg. Weight - lb (kg)
L-830-16	1ST010666010	2.6 (1.2)
L-830-17	1ST020666010	2.8 (1.3)
L-830-1	1ST045666010	3.0 (1.4)
L-830-3	1ST065666010	4.8 (2.2)
L-830-4	1ST100666010	5.9 (2.7)