

# RUNWAY LIGHTING

## LAHSO

Incandescent In-pavement Land & Hold Short Light

STYLE 3, HIGH-INTENSITY



### Compliance with Standards

FAA: L-850F AC 150/5345-46 (Current Edition). ETL Certified.

### Uses

#### FAA L-850F

Used in lieu of an L-850A when redundant lamp option is desired during Land and Hold Short Operations per AC 150/5345-54. Used with L-884 LAHSO power and control unit to provide automatic lamp change over and flashing signal.

### Features

- Designed and built with simplicity and ease of maintenance in mind
- Light channel in front of prism windows protects prisms from damage and prevents rubber buildup thereby maintaining optimal light output
- Low-energy/long-life halogen lamps are 48 W with a rated life of 1,500 hours at 6.6 A
- Low-temperature lights. Temperature rise at center of top cover remains below the FAA-specified limit of 320 °F (160 °C).
- Fixture uses aluminum alloy cover and inner cover, stainless steel hardware, and aluminum alloy and stainless steel optical assembly
- Includes Includes a UL 467 rated ground lug, which accepts an AWG 6 earth ground wire

### Packaging

In cardboard box:	7 × 13 × 13 in (17.8 × 33 × 33 cm)
Weight with packing:	15.3 lb (6.94 kg)
Weight without packing:	12.3 lb (5.58 kg)

### Ordering Code

44A5950 - 0 X X X

#### Film Disc Cutout

2 = Not Included

#### Base Mounting

1 = Two L-823 cord sets for standard base

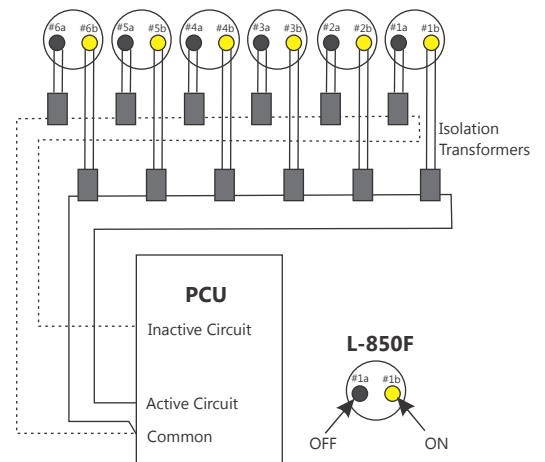
#### Lamp

1 = Two 48 W, 6.6 A

#### Notes

- If redundancy is not required for LAHSO lights, use an L-850A instead. See ADB Safegate catalog sheet 2001.
- <sup>1</sup> When used with an L-884 PCU, a film disc cutout is not used.

### Typical L-850F Configuration



[www.adbsafegate.com](http://www.adbsafegate.com)

Product specifications may be subject to change, and specifications listed here are not binding. Confirm current specifications at time of order.