

LIGHT DETAIL NOTES:

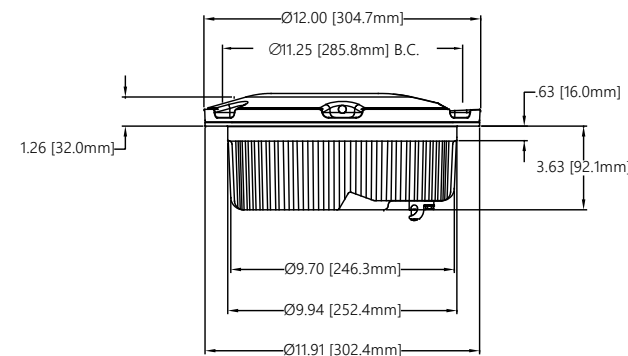
- Light bases shall be installed with setting jig to assure vertical and azimuth alignment of fixture.
- Provide 2' to 3' (600-900mm) of cable slack within light base to allow servicing.
- Refer to FAA Engineering Brief 83 (Latest Revision) for recommended installation requirements including bolt, washer, and torque guidance.
- Installation of ADB SAFEGATE FFL snowplow ring on Light Base

For new installations on L-858C light base, see FAA AC 150/5340-30, Chapter 11 for installation instructions. If a spacer and or shims are needed to bring new adapter ring to grade (+ 0/- 1/16 inch) (1.5mm) the thickness of the spacer can be determined by measuring the distance from grade to the top of the light base flange and then subtracting the thickness of the new adapter ring. The thickness of the new adapter ring should be measured at the edge of the outside diameter of the ring.

For replacement of existing adapter ring mounted on a LB4 light base with the ADB SAFEGATE FFL adapter ring procedure as follows:

- Remove the existing installed adapter ring and clean all debris from the surface of the flange ring on the LB4 light base.
 - If the original installation did not use spacers under the adapter, a .750 inch (19mm) thick spacer ring can be installed with no more than three shims, including the snow plow ring, (thickness to be determined) to bring the new adapter ring to grade (+0/-1/16) (1.5mm).
 - If the original installation used spacer(s) under the adapter ring, it may be necessary to remove and replace the existing spacers. See FAA AC 150/534-30 for the maximum number of spacers that can be stacked together. Determine the thickness of the new spacer by measuring the distance from grade to the top of the existing spacer or remove all the spacers and measure from grade to the top surface of the flange ring. Subtract the new adapter ring thickness (see above) from the measured distance to determine the thickness of the new spacer.
5. ADB SAFEGATE TYPE FFL OR EQUAL.

1 PIECE BASE INSTALLATION



REFERENCE DIMENSIONS

CAUTION:
THIS DRAWING IS ONLY INTENDED FOR USE AS GENERAL AIRFIELD SYSTEM DESIGN GUIDANCE. THE DESIGNER MUST VERIFY DESIGN WITH LOCAL CODES AND VARYING CHARACTERISTICS FOR EACH UNIQUE AIRFIELD APPLICATION.

CONTROLLED COPY			
Unauthorized duplication of this document in whole or part is prohibited. Initialed in RED ink below indicates authorized copy.			
INITIAL & DATE:			
H	270	REFER EB 83	JEG 12JUN19
G	4228	MODIFY TORQUE VALUE & BOLT	DLR 2MAR16
F	----	IDENTIFY AS SFFLU	JEG 13JUN14
E	3855	SEE ECO - ADD INTERNAL GROUND	DTR 14MAR12
D	3015	ADD REF DIM VIEW	JLC 15DEC10
C	----	WORDING CHG TO "ADAPTER RING"	JEG 14NOV07
B	----	MARKETING MARKUP	JEG 14NOV07
A	----	DRAWING RELEASE	DTR
REV LEVEL	ECO NUMBER	REVISION DESCRIPTION	DRAWN BY REV DATE
ASSOCIATED DRAWINGS:		DRAWN BY:	DRAWN DATE:
		D.T. RYAN	08DEC06
Information contained on this drawing is to be used expressly in accord with purpose for which it was submitted. Any disclosure of this information is strictly prohibited except as ADB SAFEGATE may otherwise agree in writing. Copyright © 2010 ADB SAFEGATE.			
SCALE:		N/A	SHEET NUMBER: 1 OF 1
DRAWING NUMBER:			REV:
117A0035			H