

# RBML

## Military Airport Rotating Beacon

### HIGH INTENSITY



#### Compliance with Standards

FAA: L-802M A/C 150/5345-12 (Current Edition)

#### Uses

L-802M Rotating Beacons are designed for operation as identification and location markers for military airports.

#### Features

- Patented belt-drive system eliminates the lubrication required by conventional gear-drive beacons. (U.S. Patent No. 5,339,224)
- Patented liquid-filled lamp connector eliminates the slip rings and brushes found on conventional beacons (U.S. Patent No. 5,816,678)
- Two 33,000 lumen, 320 watt pulse-start metal-halide lamps
- Pulse-start lamps are fully bright in 3-5 minutes
- 20,000+ hour typical lamp life (4-5 years)
- One white dual beam lens, one aviation green lens
- No maintenance except lamp replacement
- All moving parts are permanently lubricated
- Thermally-protected motor eliminates burnouts
- Lamps preset 5° above horizontal, adjustable 2-10°
- 6 RPM rotation, 18 flashes/minute
- Weatherproof steel cabinet, powder-coated international orange
- Optional photocell and/or tell-tale relay
- Mountable on a Hali-Brite Tipdown Pole
- Electrical Power - The beacon operates on 120 VAC, 60 Hz or 220-240 VAC, 50/60 Hz
- Power Consumption - Class I: 793 W; Class II: 1193 W
- Made in the USA and ETL certified by Hali-Brite, Inc., Crosby, MN

#### Operating Conditions

Temperature:	Class I: -22 °F to +131 °F (-30 °C to +55 °C) Class II: -67 °F to +131 °F (-55 °C to +55 °C)
Wind:	Velocities up to 100 mph (161 kph)

#### Ordering Code

44A4841-0

##### Power

- 1 = 120 VAC, 60 Hz, without heater, Class I
- 2 = 120 VAC, 60 Hz, with heater, Class II
- 3 = 220-240 VAC, 60 Hz, without heater, Class I
- 4 = 220-240 VAC, 60 Hz, with heater, Class II
- 5 = 220-240 VAC, 50 Hz, without heater, Class I
- 6 = 220-240 VAC, 50 Hz, with heater, Class II

##### Notes

- 220-240 VAC must be single wire with neutral.
- Add tell-tale relay for monitoring (see options below).

#### Spare Components

Description	Part No.
Ballast Assembly, 60Hz	0200-0027
Ballast Assembly, 50Hz	0200-0029
Belt	0600-0004
Fuse, motor, 0.5A	2300-0002
Fuse, lamp, 10A	2300-0003
Lamp, 320W pulse-start	3400-0136
Lens, aviation green	2800-0057
Lens, aviation white	2800-0056
Lens clip	0100-3825

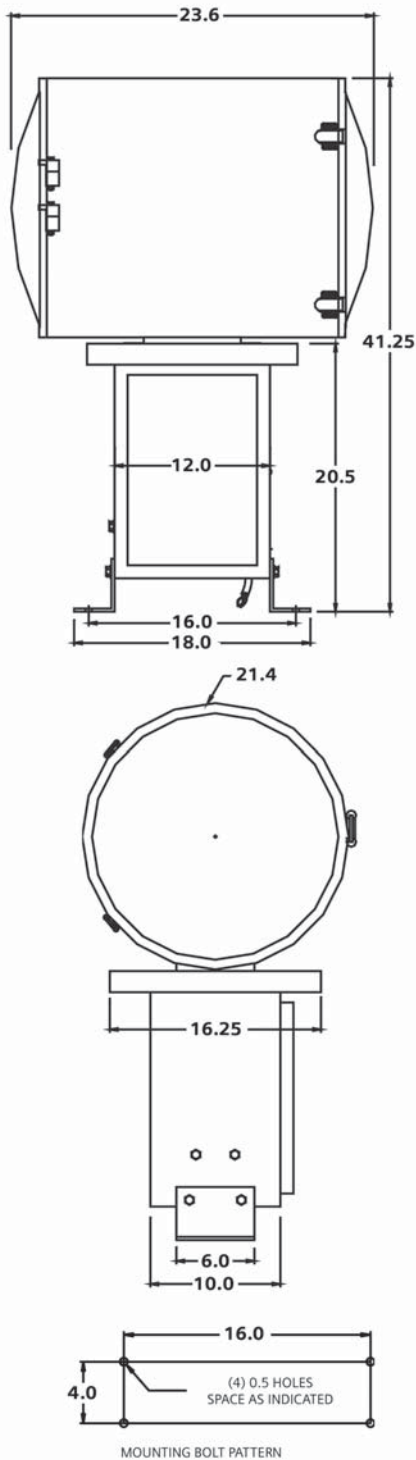
#### Optional Accessories

Description	Part No.
Tell-Tale Relay, 120 VAC	L801/802 T/T HBM 120
Tell-Tale Relay, 220/240 VAC	L801/802 T/T HBM 240
Tell-Tale Relay, 220/240 VAC, 50 Hz	L801/802 T/T 240/50
Tower Mounting Kit	4200-0000

#### Packaging

Cube Shipping Volume:	48 x 42 x 32 in (122 x 107 x 81 cm)
Weight:	155 lb (70.3 kg) - unpackaged 250 lb (113.4 kg) - shipping

Dimensions



All dimensions in inches



Hali-Brite Tipdown Pole

The Tipdown Pole makes it easy to change lamps and perform routine maintenance.

- Increases safety-no risk of falling or hazard of working on a platform
- Easy to operate-Can be quickly lowered and raised by one person without special equipment. Uses a hand-operated winch system
- Can be installed in locations inaccessible to bucket trucks
- Not designed for DCB-36 or DCB-224 beacons
- Greatly reduces maintenance costs and downtime

For more information, contact the ADB Sales Department.

Product specifications may be subject to change, and specifications listed here are not binding. Confirm current specifications at time of order.

ADB Airfield Solutions  
Leuvensesteenweg 585  
B-1930 Zaventem  
Belgium

ADB Airfield Solutions, LLC  
977 Gahanna Parkway  
Columbus, OH 43230  
USA

© ADB Airfield Solutions  
All rights reserved

Telephone: +32 (0)2 722.17.11  
www.adb-air.com

Telephone: +1 614.861.1304  
+1 800.545.4157