

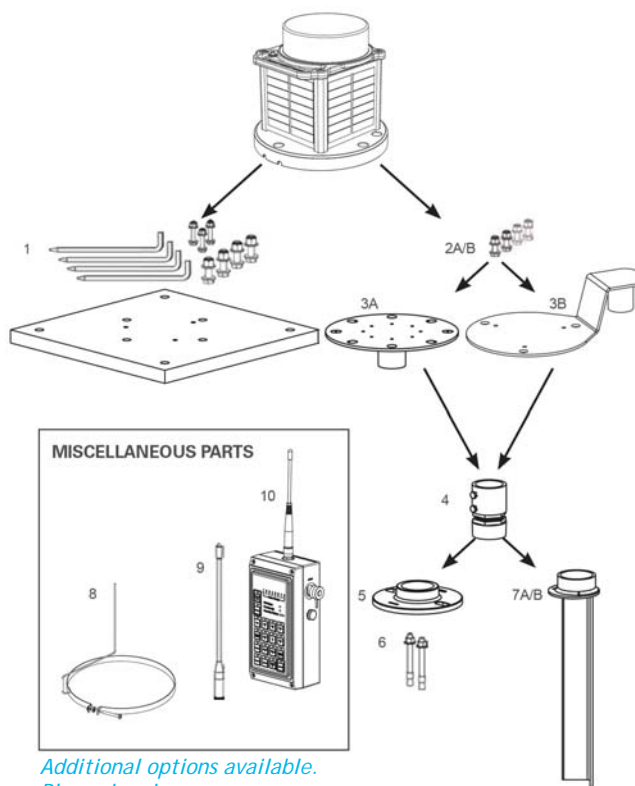
Solar Accessories

Carmanah's A704 Series Airfield Lights come with a range of accessories including durable mounting hardware, frangible couplings, and a selection of replacement parts.

Mounting Hardware		
Ref.	Part No.	Description
1	64559	16 x 16" rubber mat and hardware
2A	71757	Standard bolt kit, 700 series (4x stainless steel bolts)
2B	71884	Security bolt kit, 700 series (2x bolts, not including keys)
-	53288	Security bolt kit, bolt key/driver bit
-	53289	Security bolt kit, nut key/driver bit
3A	65714	Standard mounting plate (18" installed height)
-	65717	Extended mounting plate (26" installed height)
3B	74239	Helipad mounting bracket
4	65711	Frangible coupling, 1.5" pipe x 2 thread
5	50144	Floor flange 2" throat
6	46397	Anchor bolt kit
7A	38925	2" hub stake - 15" long
7B	38925	2" hub stake - 30" long
-	Inquire	Grass guard kit
Battery/Charger		
Ref.	Part No.	Description
-	72890	Battery kit, A704 Compact
-	72891	Battery kit, A704 Standard
-	72892	Battery kit, A704 Large
-	74314	Battery charger, A704 with military charge port, 100-240 VAC, 50/60 Hz
-	69885	Battery charger, A704 battery pack and barrel charge port, 100-240 VAC, 50/60 Hz
Optics		
Ref.	Part No.	Description
-	74690	Optical shield, 180 degree, several models
-	Inquire	Head kit, several models
Miscellaneous Parts		
Ref.	Part No.	Description
8	40865	A704 series bird deterrent
9	56150	Replacement antenna
10	48473	Handheld Controller (see pg. 3 for additional wireless control options)
-	48984	Installation tool kit with 5/32" security bit for head/battery changes and small socket set



A704 Series Mounting Hardware Options



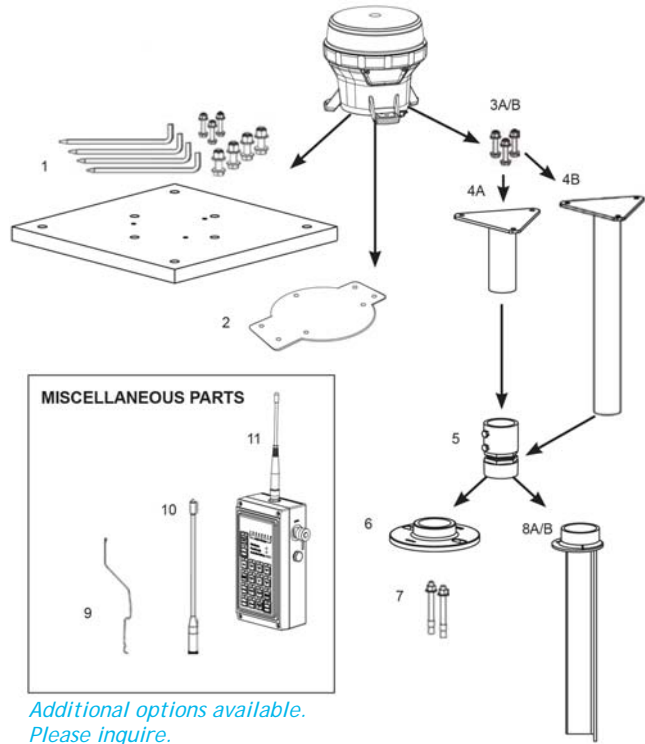
Additional options available. Please inquire.

Carmanah's A650 Series taxiway and apron edge lights include several mounting options and a variety of additional accessories and replacement parts.

Mounting Hardware		
Ref.	Part No.	Description
1	64559*	Mat kit and hardware
2	61869*	Fence mounting kit with hardware
3A	38334*	Standard bolt kit, A650 series (3x stainless steel bolts)
3B	56578	Security bolt kit, A650 series
-	53284	Security bolt kit, driver
-	53285	Security bolt kit, socket
4A	66699*	Standard mounting plate (14" installed height)
4B	69752*	Extended mounting plate (24" installed height)
5	65711*	Frangible coupling, 1.5" pipe x 2 thread
6	50144*	Floor flange, 2" thread
7	46397*	Anchor bolt kit
8A	38925*	2" hub stake - 15" long
8B	38964*	2" hub stake - 30" long
-	61870	Stake mounting kit, soft ground
-	51925	Standard mounting plate, 1" pipe
-	50145	Frangible coupling, 1" pipe x 2" thread
-	61867*	Magnet mounting kit (3x magnets, nuts & washers)
-	61876	Magnetic sign mount
Battery/Charger		
Ref.	Part No.	Description
-	72835	Battery kit, A650 series
-	59188	Charger: A650, 100-240 VAC 50/60 Hz
Optics		
Ref.	Part No.	Description
	Inquire	Optical shield, 180 degree, several models
Miscellaneous Parts		
Ref.	Part No.	Description
9	57003	Bird deterrent, A650 series
10	56150	Replacement antenna
11	48473	Handheld Controller (see pg. 3 for additional wireless options)
-	57392	Bottom cover replacement kit (with switch)
-	57393	Bottom cover replacement kit (without switch)
-	59198	Bottom cover access tool
-	48984	Installation tool kit with 5/32" security bit for head/battery changes and small socket set



A650 Series Mounting Hardware Options



***OL2A SERIES PRODUCTS**

Accessories marked with an asterisk (*) are suitable for use with the OL2A obstruction light. For additional information, please contact obstruction@carmanah.com.

Additional accessories are available on request for all other Carmanah airfield lighting products.

Airfield Wireless Control Systems	
Part No.	Description
48473	Handheld Controller
68066	Handheld Controller battery kit, Lith-ion 3.75V 5300mAh, for controllers manufactured in 2012 and later
68067	Handheld Controller battery kit, Lith-ion 3.75V 5300mAh, for controllers manufactured in 2011 and earlier
48176	Handheld Controller, hard shell carry case
69899	Infrared Programmer: A650
70373	L-854 ARCAL integration kit for handheld controller
Inquire	L-854 ARCAL radio control, multiple options
Inquire	Rugged laptop and monitoring software
Solar Engine Power Supply	
Part No.	Description
SEPS NW	For non-wireless control of Carmanah ERGL, Wind Cone or Sign
SEPS W	For wireless control of Carmanah ERGL, Wind Cone or Sign
32303	SEPS W replacement antenna
SEPS PAPI	Please inquire
Custom Trailers	
Part No.	Description
Trailer 1	Custom trailer with charging
Trailer 2	Custom trailer without charging
Trailer 3	Custom cable trailer
If you require a part that is not included on this accessories sheet including ERGL, Wind Cone or Sign mounting accessories or replacement parts, please contact info@carmanah.com for support.	



Product specifications may be subject to change, and specifications listed here are not binding. Confirm current specifications at time of order.

ADB Airfield Solutions
Leuvensesteenweg 585
B-1930 Zaventem
Belgium

Telephone: +32 (0)2 722.17.11
www.adb-air.com

ADB Airfield Solutions, LLC
977 Gahanna Parkway
Columbus, OH 43230
USA

Telephone: +1 614.861.1304
+1 800.545.4157

© ADB Airfield Solutions
All rights reserved