

# Eurobase

## Shallow bases and accessories

### Compliance with Standards

#### FAA:

Requirements of AC 150/5345 - 46 (and 42) for direct mounting of inset lights (class 1)

### Uses

- Shallow bases are used to install inset lights in flexible and non-flexible pavements, by means of the glue-in method.
- The mounting accessories provide a user-friendly solution for an easy and foolproof installation

### Features

- With the ADB inset light mounted on top, the base forms a mechanically solid system for both, runway and taxiway applications
- Withstands highest possible mechanical forces and stresses, often far in excess of standard requirements.
- Optimised thermal dissipation has a positive influence on the lifetime of the components of the fitting mounted on top.
- The depth of the shallow bases is the result of an optimum compromise between the fitting height and the thickness of most pavement constructions.
- Patented plug- in feed-through contact saves one secondary connector kit and reduces connection time shallow-base-to-circuit to a minimum.
- Multiple entry arrangement allows optimisation to site wiring system.
- Light weight eases handling in the field.
- No galvanic reactions. Made of the same durable aluminium alloy as the ADB inset lights.
- Can be obtained for various M10 and UNC fixing arrangement.
- Designed for shortest possible installation time.
- For use in wet or dry systems



Fig. 1 12" Eurobase

**Construction (Fig. 2)**

The shallow base is a gravity-cast aluminium alloy base out of one piece. All bases are provided with earthing facility outside and inside. The standard availability is with either one or two side entries for the cable, via the ADB patented feed-through contact plugs integrated in the side wall of the base, or by means of compression glands. In the first case the base is equipped with 0,5 m long pigtail wires for an easy (crimping) connection to the wires in the saw cuts.

For wet systems the central 100 mm hole in the bottom is another possibility. All bases are supplied with their fixing hardware: six M10 or UNC screws, or studs and self-locking nuts in case of 12” bases, two with 8” bases. In the latter case two anti-rotation pins prevent rotation and lift-off of the fitting when one of the bolts brakes off.

Upon request the hardware may be fitted into stainless steel helicoils.

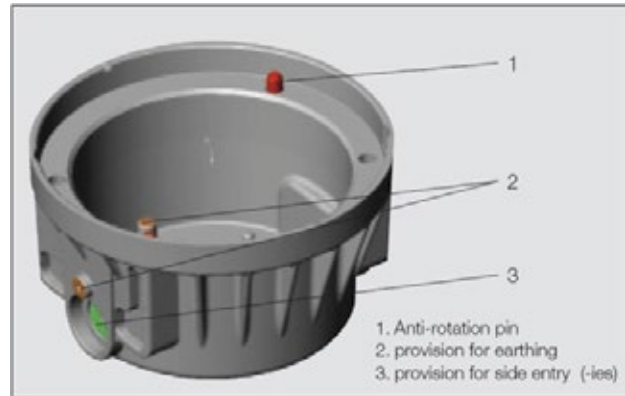


Fig. 2 Base details (here shown on a 8” HPI type)

**Installation (Fig. 3-4)**

The base is sealed by means of an appropriate resin that maintains certain flexibility after having cured. A dedicated jig with sighting telescope allows for a correct positioning and levelling of the base with or without the light fitting mounted on top. The secondary wires between the light and the isolating transformer are installed in saw cuts in the pavement filled with resin. Secondary cabling can be run in conduits underneath the base.

In the latter case the base is open from the bottom and the plug(s) of the fitting is (are) directly connected to the secondary cable coming from the transformer

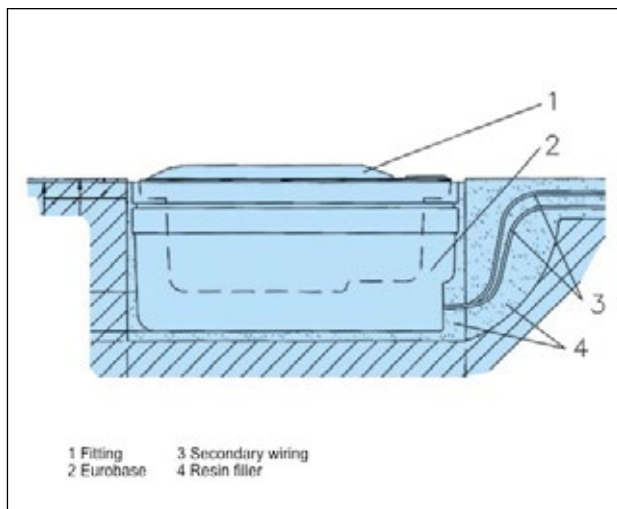


Fig. 3 Installation of a 12” Eurobase

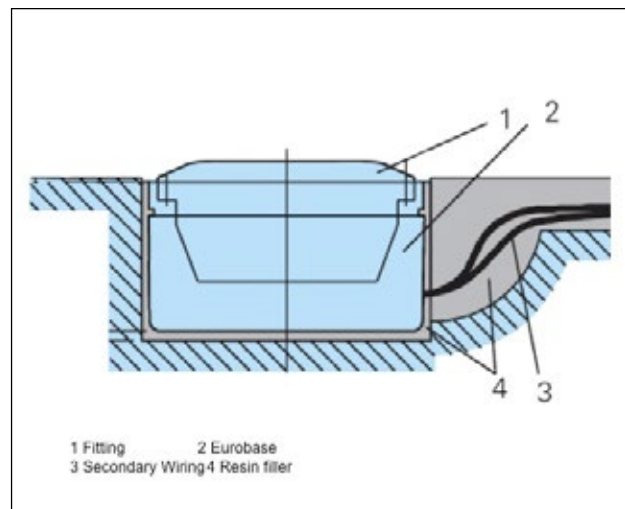


Fig. 4 Installation of an 8” Eurobase

**Dimensions (Fig. 5-6)**

Nominal diameter	A	B	C	h
	8"	214	207	184
12"	318	306	286	150

**Weight and volume**

The Eurobase is either packed individually or, for larger quantities, individually protected in larger cardboard boxes

Base type	Condition	Volume (mm)	Weight (kg)
8"	unpacked	dia 216x115	2,5
	packed per pce	225x225x120	2,8
12"	unpacked	dia 318x150	6,85
	packed per pce	350x350x170	7,35

**Accessories**

Covers: blind wooden cover for temporary installation of the bases, without their fittings:

- 8" 4071.86.050
- 12" available upon request

Blind aluminium cover for a durable watertight protection of the base:

- 8" 1411.19.950
- 12" 1411.88.061

Installation jigs:

- Simplified installation jig (Fig. 8) 1411.19.260
- Sighting telescope with support for mounting onto the installation jigs. The telescope can be moved from one jig to another, only one required for a number of installation jigs (Fig. 7) 1411.19.251

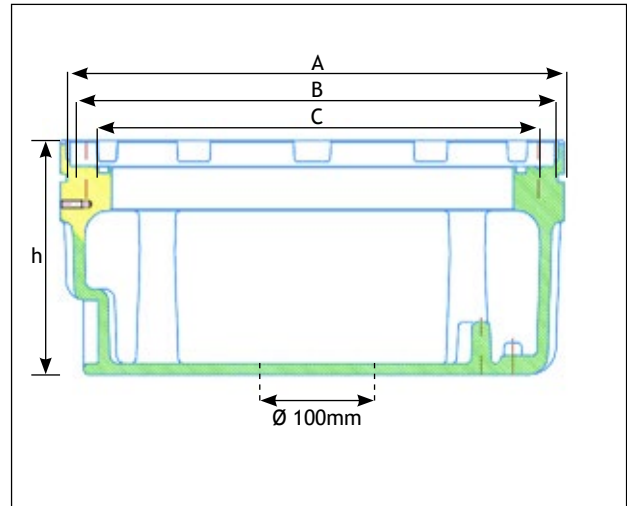


Fig. 5 Dimensions 12" Eurobase

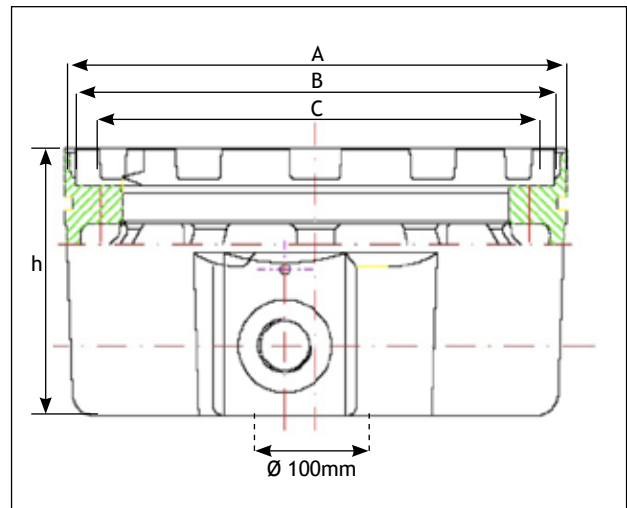


Fig. 6 Dimensions 8" Eurobase



Fig. 7 Sighting telescope



Fig. 8 Installation Jig

**Ordering Code**

M S B Y 0 0 0 3

<b>Mounting Shallow Base</b>	•								
<b>Fitting Version</b>		•							
A = 8" Eurobase									
B = 12" Eurobase									
C = 8" HPI base									
<b>Fixing hardware</b>			•						
- For 8" Shallow Bases									
0 = M10 screw fixing kit with nylon encapsulated washers <sup>1</sup>									
1 = M10 screw fixing kit									
2 = M10 self locking nut fixing kit									
3 = 3/8 x 16UNC screw + anti rotation pins fixing kit <sup>2</sup>									
- For 12" Shallow Bases									
4 = 3/8 x 16UNC screw fixing kit (set of six)									
5 = M10 screw fixing kit (set of six)									
6 = M10 screw fixing kit with nylon encapsulated washers <sup>1</sup>									
7 = M10 self locking nut fixing kit (set of six)									
<b>Type of entries</b>				•					
0 = Central bottom hole 100mm dia									
1 = Single side entry									
2 = Double side entry									
5 = With central bottom hole with "extension pot" for 1 cable entry									
6 = With central bottom hole with "extension pot" for 2 cable entries									
9 = Single side entry (and milled inside base bottom) <sup>3</sup>									
A = Central bottom hole 100mm dia (and milled inside base bottom) <sup>3</sup>									
<b>Entry accessories</b>					•				
0 = None									
1 = Feed through without earthing									
2 = Feed through with Earthing									
3 = Compression gland PG16 for 2 core cable (OD 8 to 15mm)									
4 = Compression gland PG16 for 3 single wires									
5 = Compression gland PG16 for 2 single wires									
<b>Fixed digit</b>									
Y = extra earthing screws in and outside						•			
<b>Fixed digits</b>									
000									•
<b>Version</b>									
3 = Original version									•

**Ordering Code Notes**

- <sup>1</sup> For German versions. Those bases are supplied with:
  - anti-rotation pins mounted (in 8" Eurobase)
  - through passing fixation holes
- <sup>2</sup> Not for HPI
- <sup>3</sup> Execution for FFL flashing light

**Important note:**

For reasons of structural integrity, ADB recommends the installation of fittings and bases from the same supplier. ADB will not assume responsibility for failures in case of mixed installation.

Product specifications may be subject to change, and specifications listed here are not binding. Confirm current specifications at time of order.

ADB Airfield Solutions  
Leuvensesteenweg 585  
B-1930 Zaventem  
Belgium

ADB Airfield Solutions, LLC  
977 Gahanna Parkway  
Columbus, OH 43230  
USA

© ADB Airfield Solutions  
All rights reserved

Telephone: +32 (0)2 722.17.11  
www.adb-air.com

Telephone: +1 614.861.1304  
+1 800.545.4157