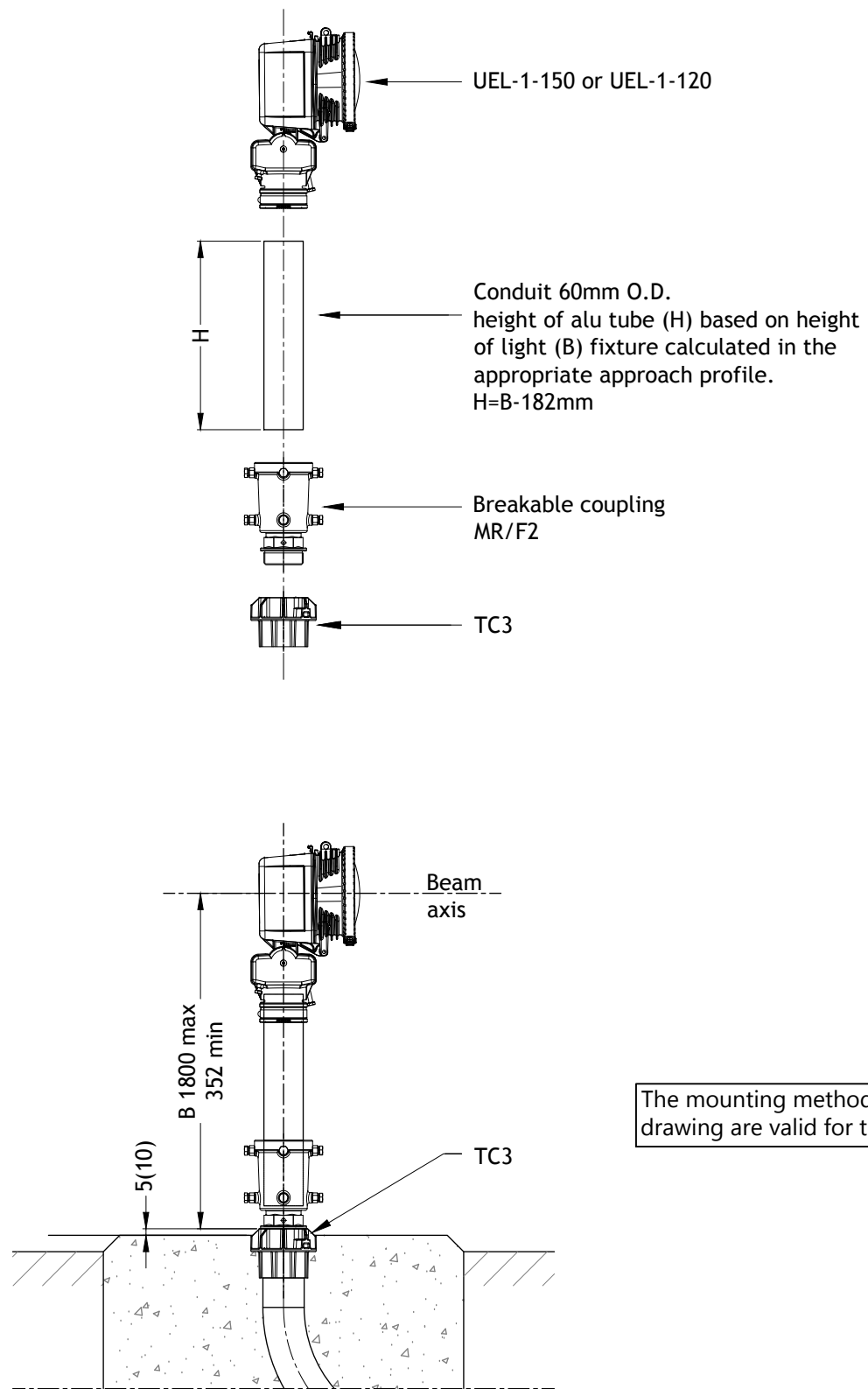
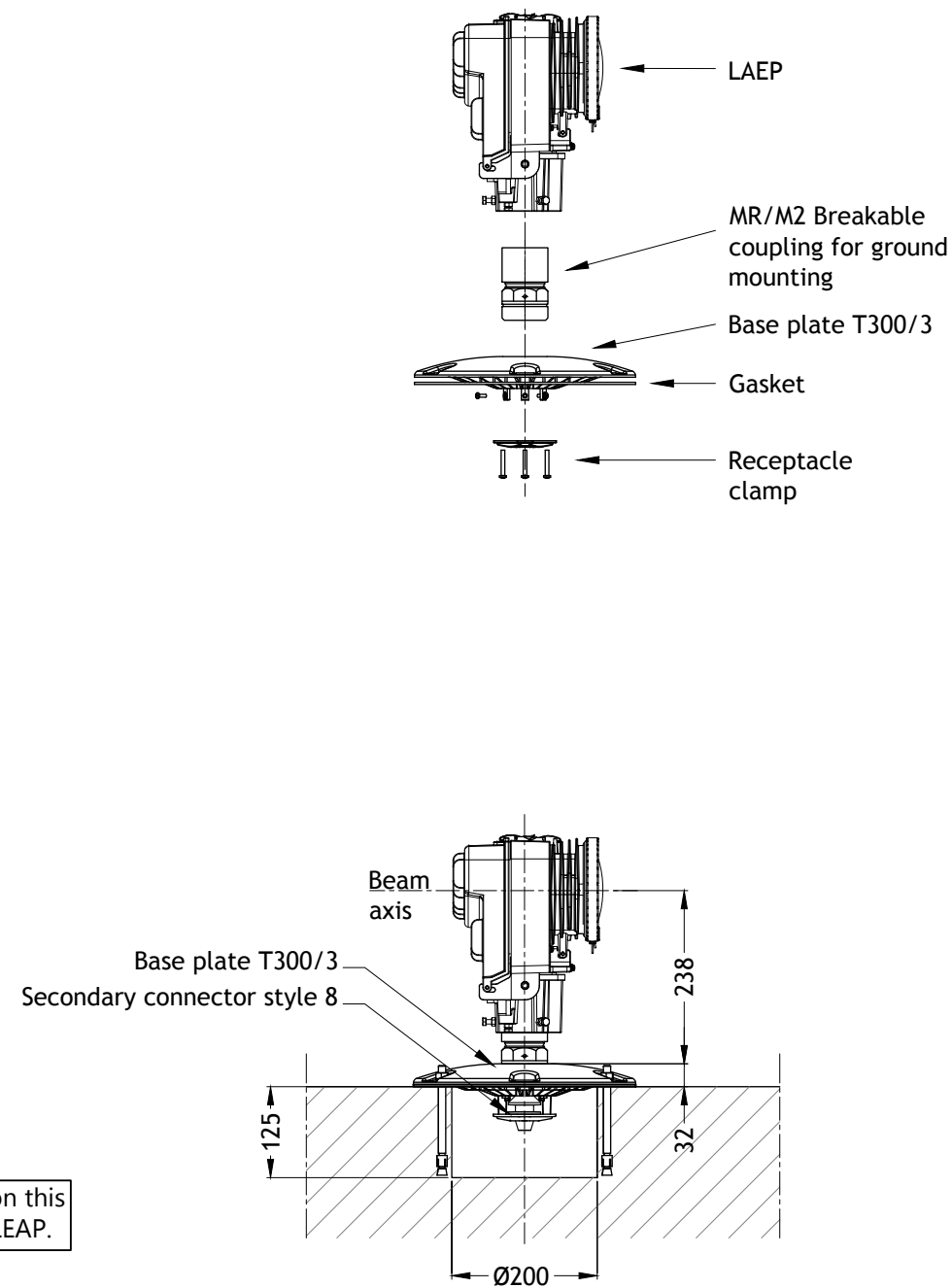


TYPICAL CONDUIT MOUNTING ON CONDUIT ELBOW



The mounting methodologies illustrated on this drawing are valid for the UEL and for the LAEP.

TYPICAL GROUND LEVEL MOUNTING



WARNING !
This drawing shows general installation details related to ADB products, and therefore is not to be considered as a "GOOD FOR CONSTRUCTION" drawing for specific projects. The designer must verify compliance of design with local codes and varying characteristics for each unique airfield application. ADB shall be relieved of any responsibility for amendments brought by Others to the original ADB drawings, even if such amended drawings still bear the ADB logo.



DRAWING DENOMINATION	SCALE: 1/10	DIMENSION IN: mm
MOUNTING SYSTEM FOR UEL OR LAEP	DRAWN BY: GZ	CHECKED BY: SCA
TYPICAL INSTALATION METHODS	DATE: 01/04/2015	
21AO01050		