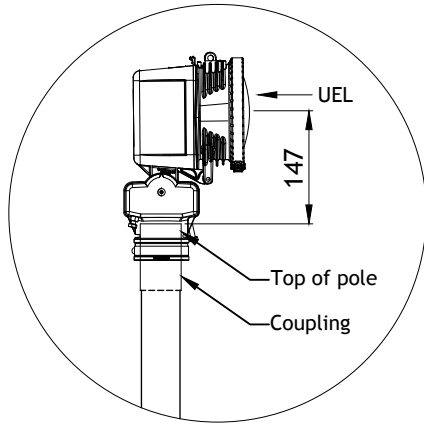
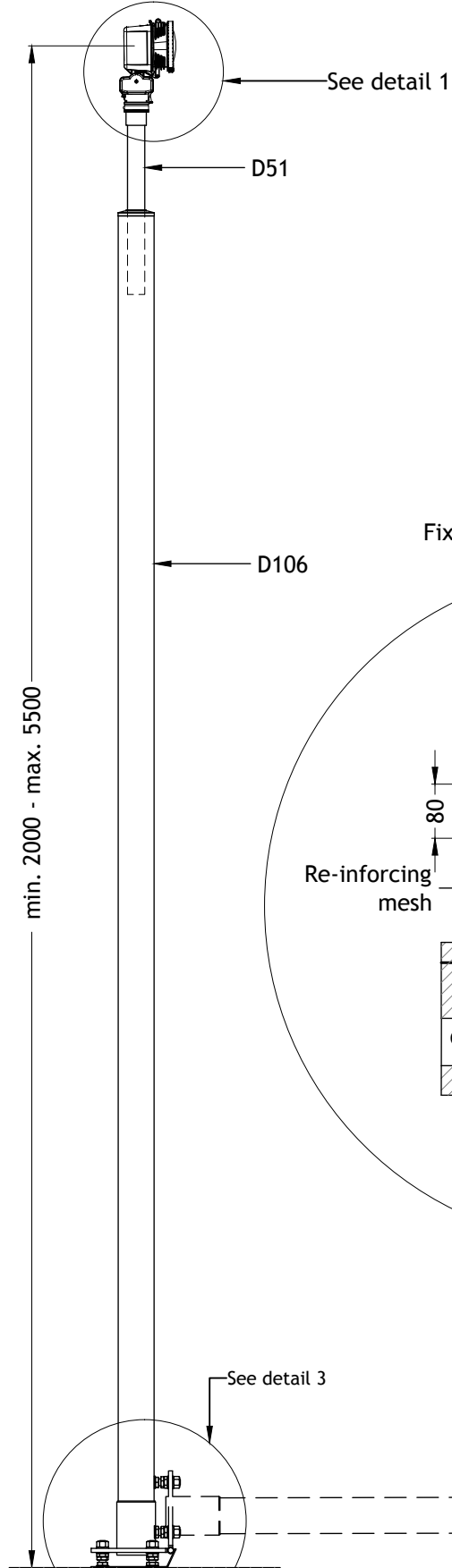


### Detail 1



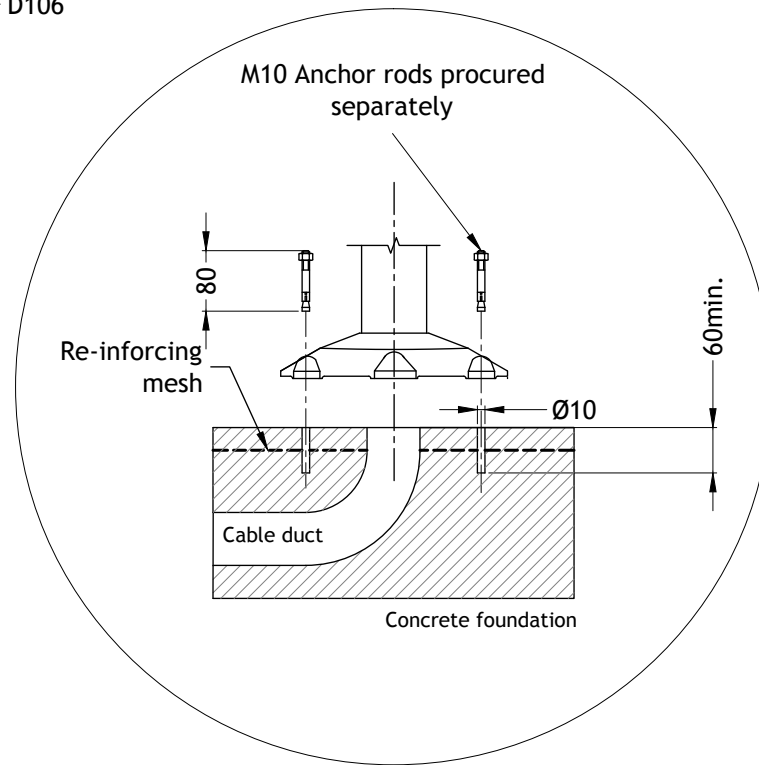
Tubular mast product: D106L



	Type		
	D51	D86L	D106L
Max. light height	1.6m	2.0m	5.5m
Height adjustment at site	±200mm	±200mm	±250mm
Cable way	Runs inside	Runs inside	Runs inside
Mounting system	Fixed base plate on concrete base	Fixed base plate on concrete base	Hinged base plate on concrete base

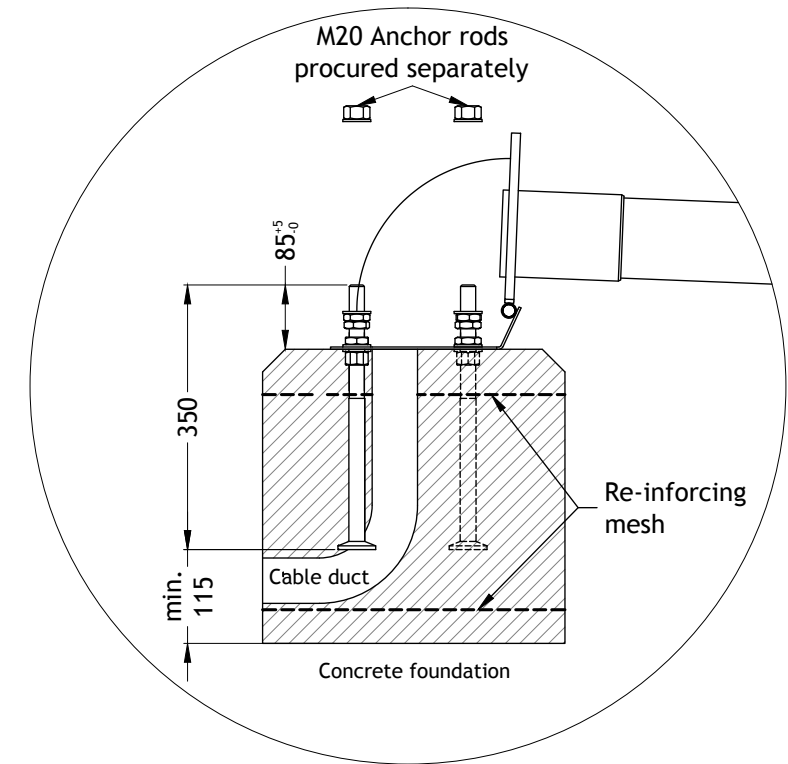
### Detail 2 - D86L

Fixed base plate on concrete base



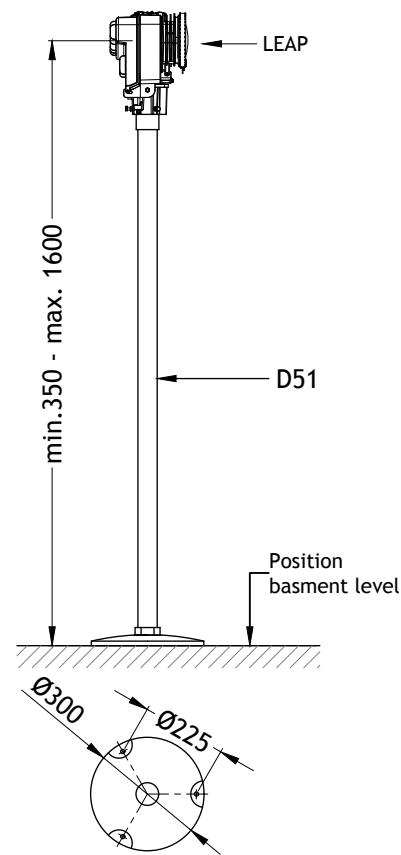
### Detail 3 - D106L

Hinged base plate on concrete base



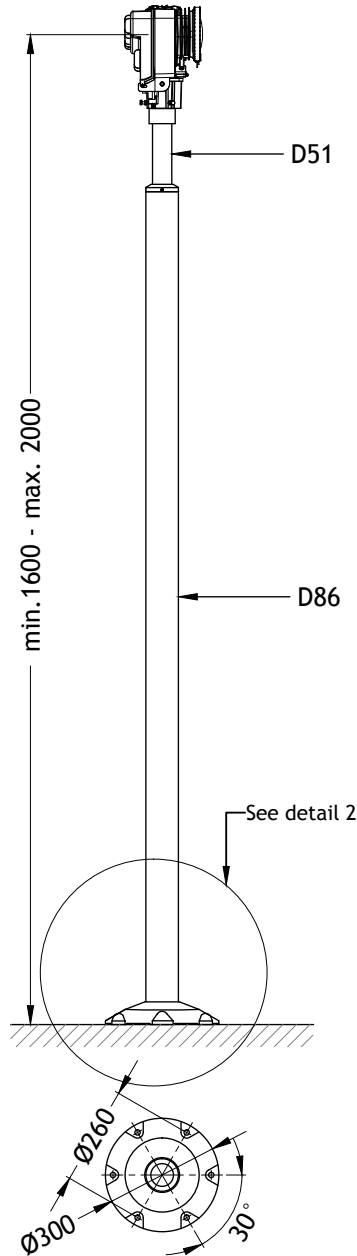
The mounting methodologies illustrated on this drawing are valid for the UEL and for the LEAP.

Tubular mast product: D51

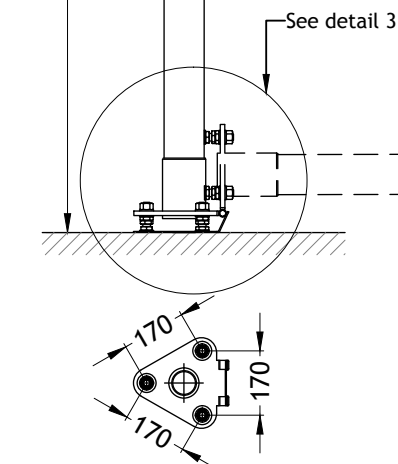


Fixed base plate for D51

Tubular mast product: D86L



Fixed base plate for D86L



Hinged base plate for D106L

#### WARNING !

This drawing shows general installation details related to ADB products, and therefore is not to be considered as a "GOOD FOR CONSTRUCTION" drawing for specific projects. The designer must verify compliance of design with local codes and varying characteristics for each unique airfield application. ADB shall be relieved of any responsibility for amendments brought by Others to the original ADB drawings, even if such amended drawings still bear the ADB logo.



DRAWING DENOMINATION

TUBULAR MASTS EXEL

SCALE: 1/20

DIMENSION IN: mm

DRAWN BY: GZ

CHECKED BY: VI

DATE: 07/01/2014

21AS11050