

Tripod

Mounting for Elevated Lights

Compliance with Standards

FAA: Not specified in FAA AC150/5345-46.

Withstands stresses transmitted by an ADB light of maximum 356 mm high, when exposed to a 482 km/h (300 mph) wind.

Uses

Mounting interfaces are designed to fit all ADB elevated lighting fixtures. They are economical, easy to install, and almost maintenance free. A wide range of mounting interfaces provide the ideal solution for the most versatile installations.



Fig. 1: Tripod

Features/Benefits

1. Corrosion proof
2. UV resistant sun-exposed surfaces
3. Adapted to most versatile mounting



Fig. 2: EREL mounted on Tripod

Construction

- 1. Synthetic material tripod with 2" gas coupling, 11 TPI
- 2. Reinforced fixing holes (3)
- 3. Anchor bolts - optional (M10)

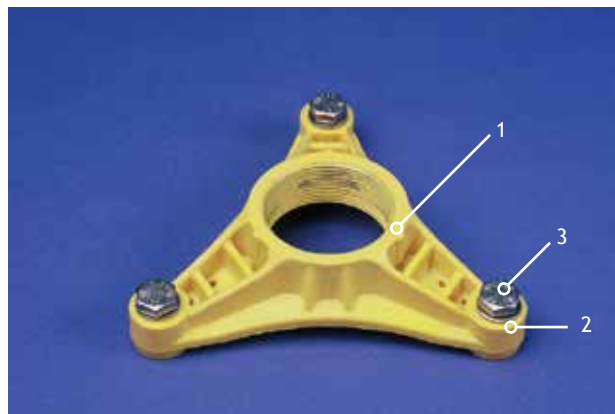


Fig. 2

Installation

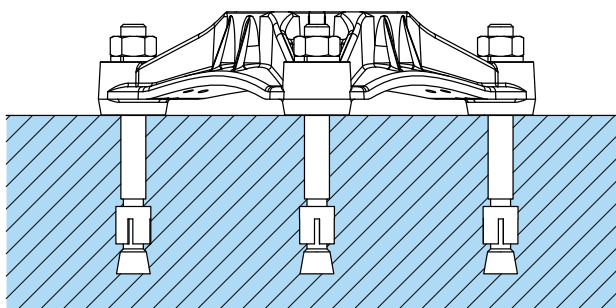


Fig. 3

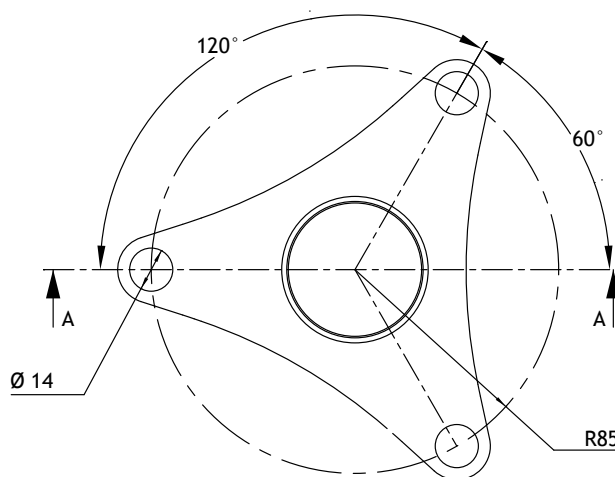


Fig. 4

Ordering code

Tripod 1409.47.000

Packing data

Net Weight 179g
Dimension (cm) Ø 19.5

Product specifications may be subject to change, and specifications listed here are not binding. Confirm current specifications at time of order.

ADB Airfield Solutions
Leuvensesteenweg 585
B-1930 Zaventem
Belgium

Telephone: +32 (0)2 722.17.11
www.adb-air.com

ADB Airfield Solutions, LLC
977 Gahanna Parkway
Columbus, OH 43230
USA

Telephone: +1 614.861.1304
+1 800.545.4157

© ADB Airfield Solutions
All rights reserved