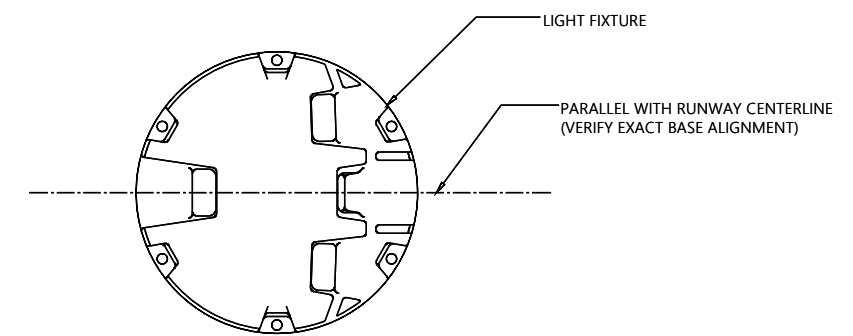
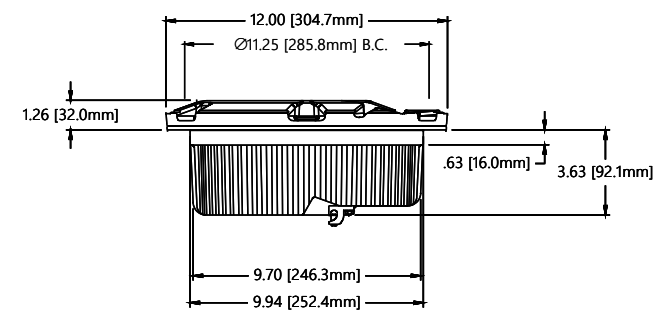


1 PIECE BASE INSTALLATION



LIGHT DETAIL NOTES:

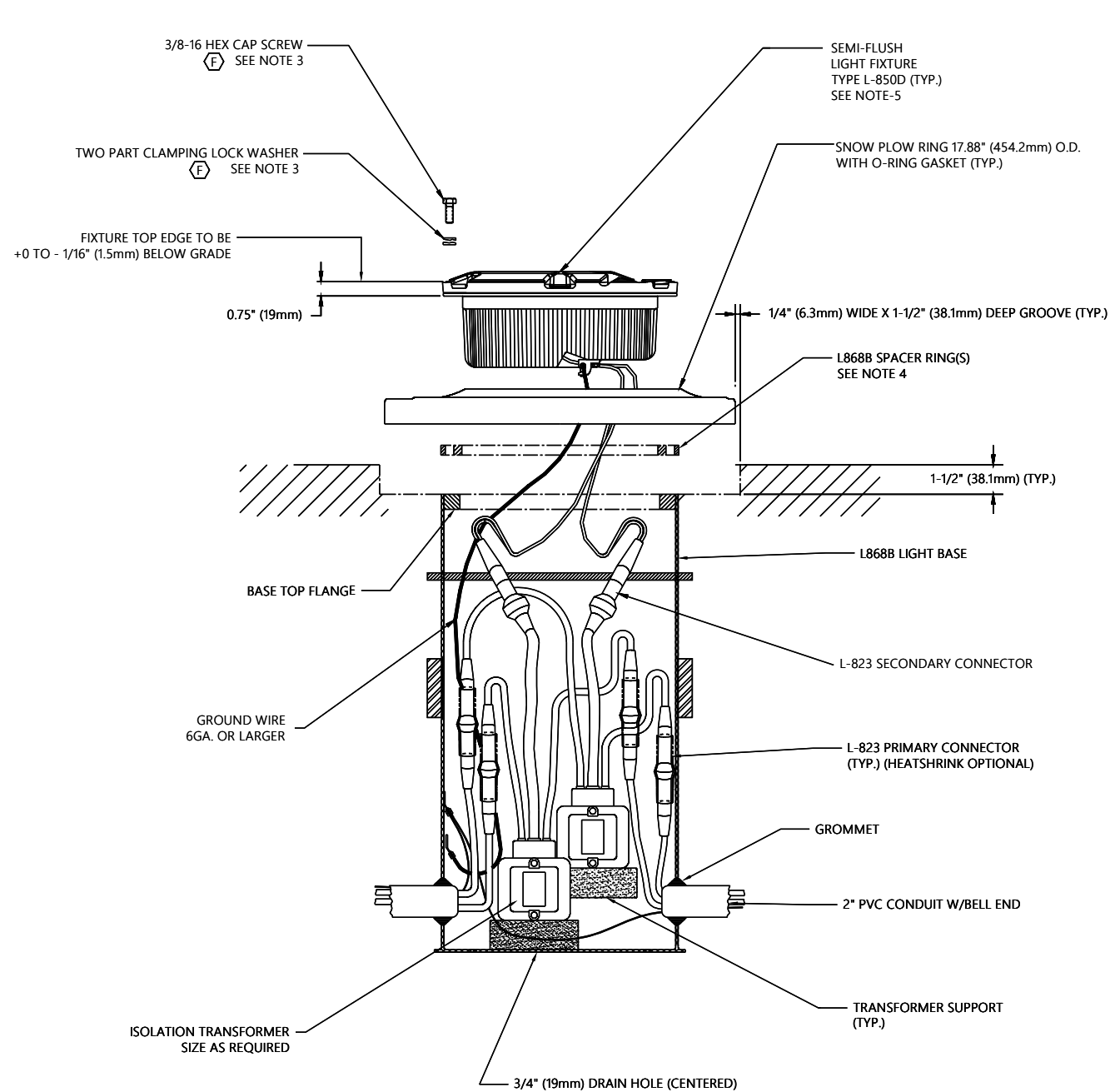
1. LIGHT BASES SHALL BE INSTALLED WITH CARE TO ASSURE VERTICAL & AZIMUTH ALIGNMENT OF FIXTURE.
2. PROVIDE 2'-3' (600-900mm) CABLE SLACK WITHIN LIGHT BASE TO ALLOW TRANSFORMER SERVICING.
3. REFER TO FAA ENGINEERING BRIEF 83 (LATEST REVISION) FOR RECOMMENDED INSTALLATION REQUIREMENTS INCLUDING BOLT, WASHER, AND TORQUE GUIDANCE.
4. AS REQUIRED TO MAINTAIN FAA INSTALLATION TOLERANCE OF  $\pm 0.0156$  (1.5mm). A MAXIMUM OF THREE SPACER RINGS MAY BE STACKED TOGETHER, INCLUDING FLANGE RING.
5. ADB SAFEGATE PART {44A6247/XXXX} OR EQUAL.



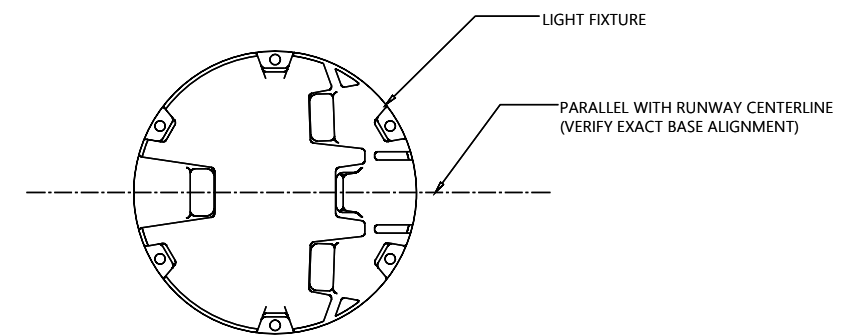
REFERENCE DIMENSIONS

**CAUTION:**  
THE INTENT OF THIS DRAWING IS FOR A GENERAL GUIDELINE IN THE DESIGN OF AIRFIELD LIGHTING SYSTEMS. THIS GUIDELINE DOES NOT PROVIDE SOLUTIONS FOR EACH INDIVIDUAL VARIATION IN EQUIPMENT, DETAIL, LOCAL CODE, OR OTHER UNIQUE CHARACTERISTICS OF A PARTICULAR LOCATION.

CONTROLLED COPY			
Unauthorized duplication of this document in whole or part is prohibited. Initialed in RED ink below indicates authorized copy.			
INITIAL & DATE:			
<b>ADB SAFEGATE</b>			
P.O. Box 30829		Tel: (614) 861-1304	
977 Gahanna Parkway		Fax: (614) 864-2069	
Columbus, OH 43230			
DRAWING TITLE: SIGNATURE SERIES F-RANGE L-850 D IN-PAVEMENT FIXTURE INSTALLATION			
REV	ECO NUMBER	REVISION DESCRIPTION	DRAWN BY / REV DATE
F	270	REFER EB 83	JEG / 17JUN19
E	4228	MODIFY TORQUE VALUE	DLR / 1MAR16
D	3588	SEE ECO-ADD INTERNAL GRNDING	DTR / 14MAR12
C	3015	ADD REF DIM VIEW	JLC / 14DEC10
B	----	CHNG .78" TO .75"	DTR / 10MAY06
A	----		JEG / 22MAR05
ASSOCIATED DRAWINGS:		DRAWN BY:	DRAWN DATE:
		JIM GAFFNEY	22MAR05
Information contained on this drawing is to be used expressly in accord with purpose for which it was submitted. Any disclosure of this information is strictly prohibited except as ADB SAFEGATE may otherwise agree in writing. Copyright © 2010 ADB SAFEGATE.		SCALE:	SHEET NUMBER:
		N/A	1 OF 2
DRAWING NUMBER: <b>117A0020</b>			REV: <b>F</b>



1 PIECE BASE INSTALLATION



LIGHT DETAIL NOTES:

1. LIGHT BASES SHALL BE INSTALLED WITH CARE TO ASSURE VERTICAL & AZIMUTH ALIGNMENT OF FIXTURE.
2. PROVIDE 2'-3" ( 600-900mm) CABLE SLACK WITHIN LIGHT BASE TO ALLOW TRANSFORMER SERVICING.
- Ⓜ 3. REFER TO FAA ENGINEERING BRIEF 83 (LATEST REVISION) FOR RECOMMENDED INSTALLATION REQUIREMENTS INCLUDING BOLT, WASHER, AND TORQUE GUIDANCE.
4. AS REQUIRED TO MAINTAIN FAA INSTALLATION TOLERANCE OF  $\frac{+0}{-.016}$  (1.5mm). A MAXIMUM OF THREE SPACER RINGS MAY BE STACKED TOGETHER, INCLUDING FLANGE RING.
5. ADB SAFEGATE PART (44A6247/XXXX) OR EQUAL.

CAUTION:  
THE INTENT OF THIS DRAWING IS FOR A GENERAL GUIDELINE IN THE DESIGN OF AIRFIELD LIGHTING SYSTEMS. THIS GUIDELINE DOES NOT PROVIDE SOLUTIONS FOR EACH INDIVIDUAL VARIATION IN EQUIPMENT, DETAIL, LOCAL CODE, OR OTHER UNIQUE CHARACTERISTICS OF A PARTICULAR LOCATION.

CONTROLLED COPY			
Unauthorized duplication of this document in whole or part is prohibited. Initialed in RED ink below indicates authorized copy.			
INITIAL & DATE: _____			
<b>ADB SAFEGATE</b>			
P.O. Box 30829		Tel: (614) 861-1304	
977 Gahanna Parkway		Fax: (614) 864-2069	
Columbus, OH 43230			
DRAWING TITLE: SIGNATURE SERIES F-RANGE L-850 D IN-PAVEMENT FIXTURE INSTALLATION			
REV	ECO NUMBER	REVISION DESCRIPTION	DRAWN BY REV DATE
F	270	REFER EB 83	JEG 17JUN19
E	4228	MODIFY TORQUE VALUE	DLR 1MAR16
D	3588	SEE ECO-ADD INTERNAL GRNDING	DTR 14MAR12
C	3015	ADD REF DIM VIEW	JLC 14DEC10
B	----	CHNG .78" TO .75"	DTR 10MAY06
A	----		JEG 22MAR05
REV LEVEL	ECO NUMBER	REVISION DESCRIPTION	DRAWN BY REV DATE
			JIM GAFFNEY 22MAR05
ASSOCIATED DRAWINGS:		DRAWN BY:	DRAWN DATE:
		JIM GAFFNEY	22MAR05
Information contained on this drawing is to be used expressly in accord with purpose for which it was submitted. Any disclosure of this information is strictly prohibited except as ADB SAFEGATE may otherwise agree in writing. Copyright © 2010 ADB SAFEGATE.			SCALE: N/A
DRAWING NUMBER: <b>117A0020</b>			SHEET NUMBER: 2 OF 2
			REV: <b>F</b>