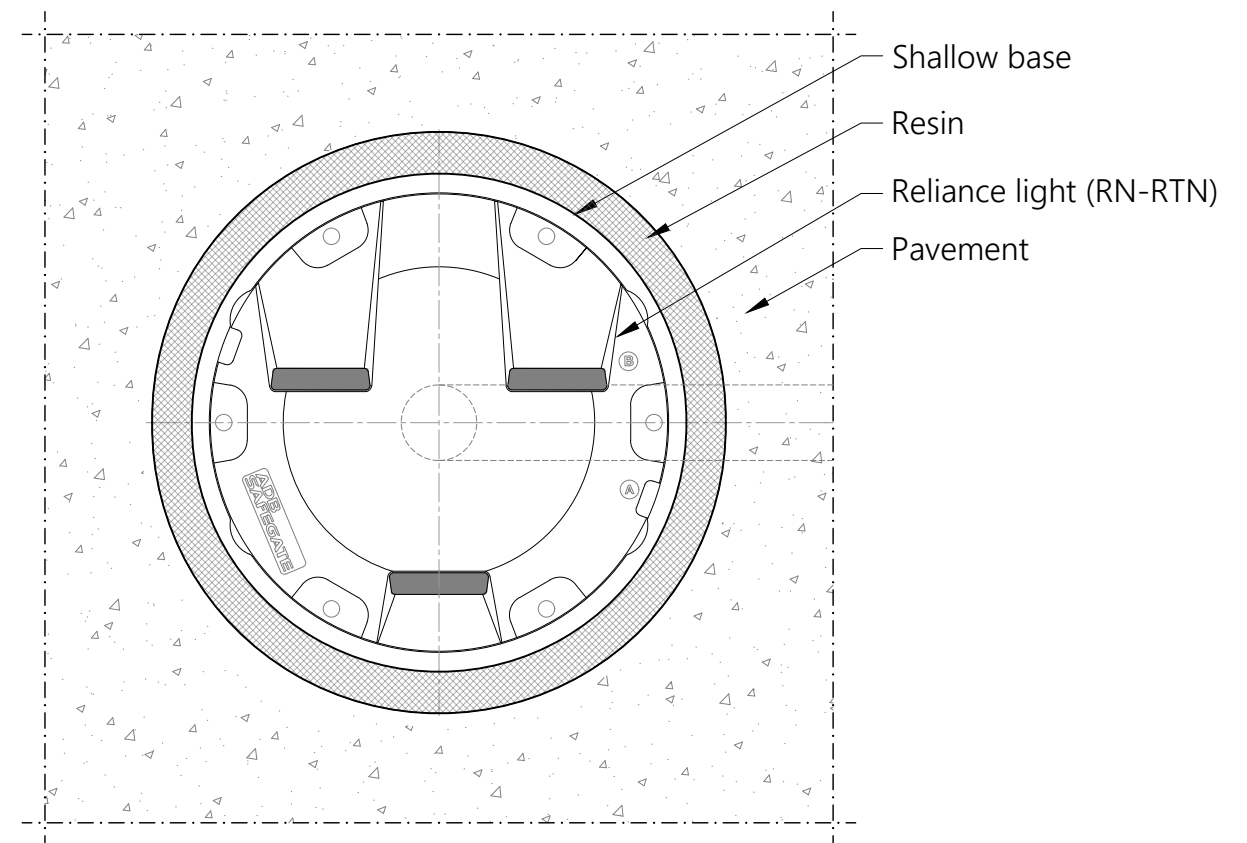


SECTION
 RELIANCE INSET 12" BIDIRECTIONAL LIGHT (3 Windows)
 Scale 1/4



TOP VIEW
 RELIANCE INSET 12" BIDIRECTIONAL LIGHT (3 Windows)
 Scale 1/5

NOTES:

1. This drawing shows general installation details related to ADB Safegate products and is for information only, not for construction. The designer must verify compliance of design with local standards and varying characteristics for each unique airfield project.
2. Pavement types and dimensions shown are only indicative. Installation details may vary depending on project specific pavement types and dimensions.
3. Please refer to product installation manual for installation process details.
4. ADB Safegate waives its liability for wrongful use of the information.